

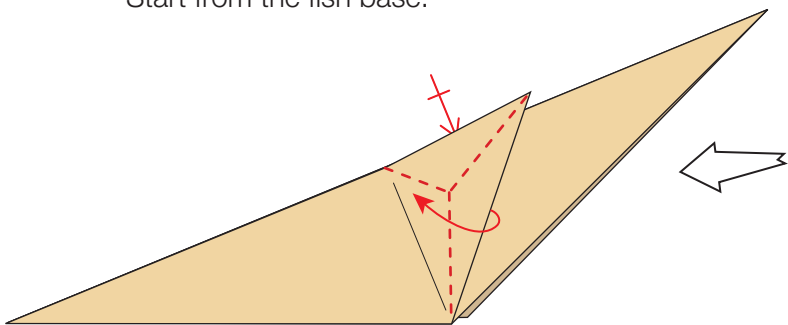
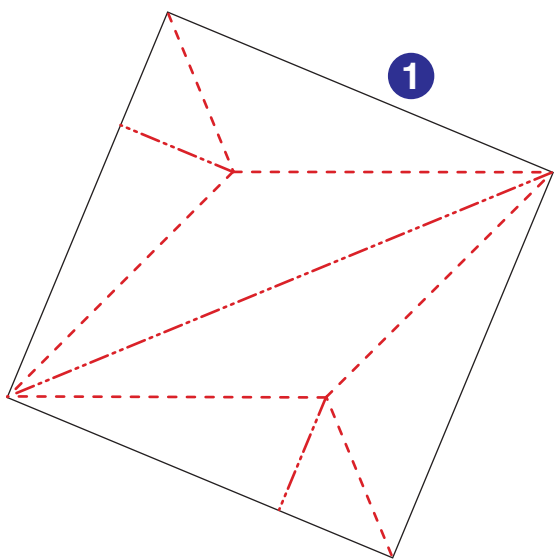
# ABERDEEN

Variation from traditional - EJ 2002

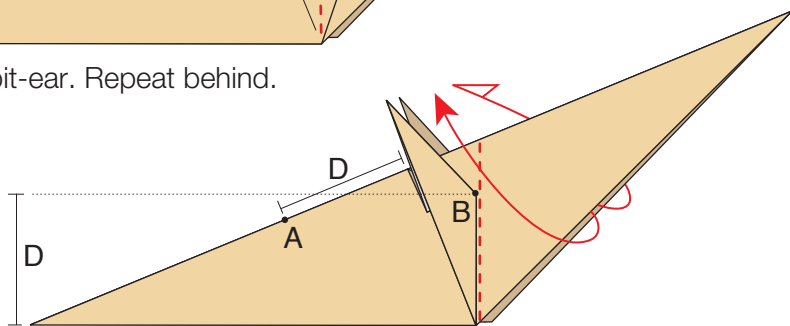
I was interesting trying to create something "new" with an old traditional.

A 30 cm square from Canson paper 180 gr wet-folding could be a good choice.

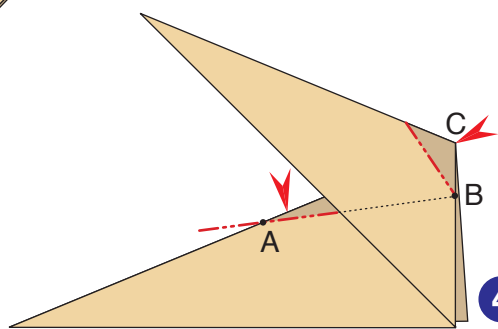
Start from the fish base.



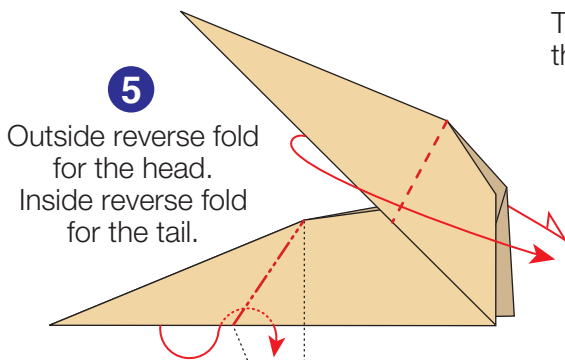
**2** Rabbit-ear. Repeat behind.



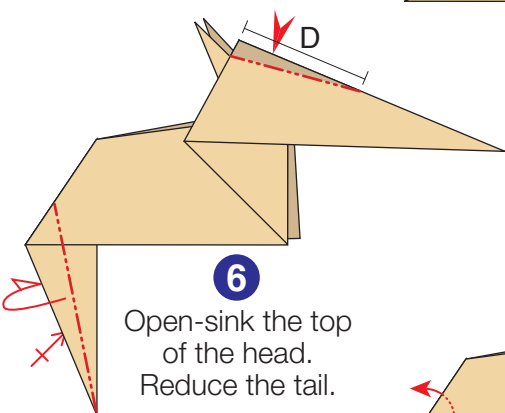
**3** Outside reverse fold.  
A & B would be used later.



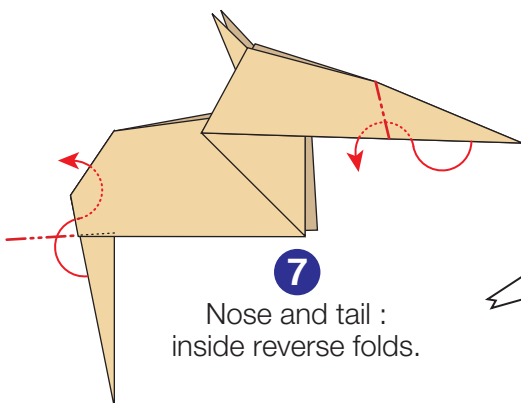
**4** Open-sink along the line AB.  
This is only possible if you sink the corner C at the same time.



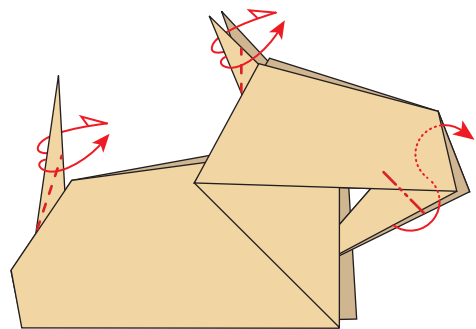
**5** Outside reverse fold for the head.  
Inside reverse fold for the tail.



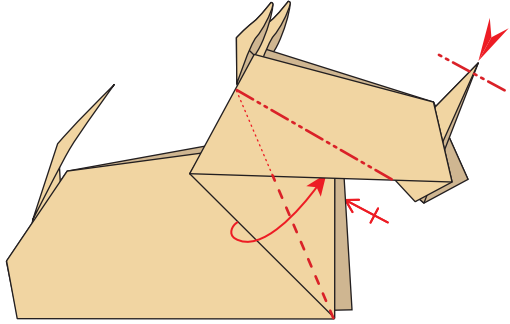
**6** Open-sink the top of the head.  
Reduce the tail.



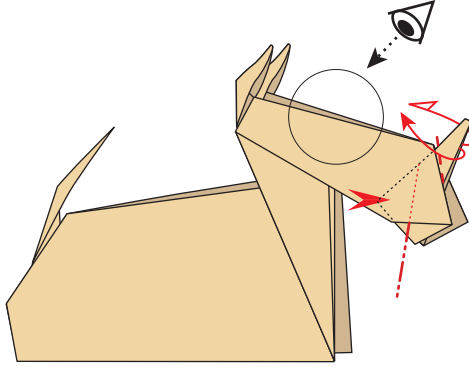
**7** Nose and tail :  
inside reverse folds.



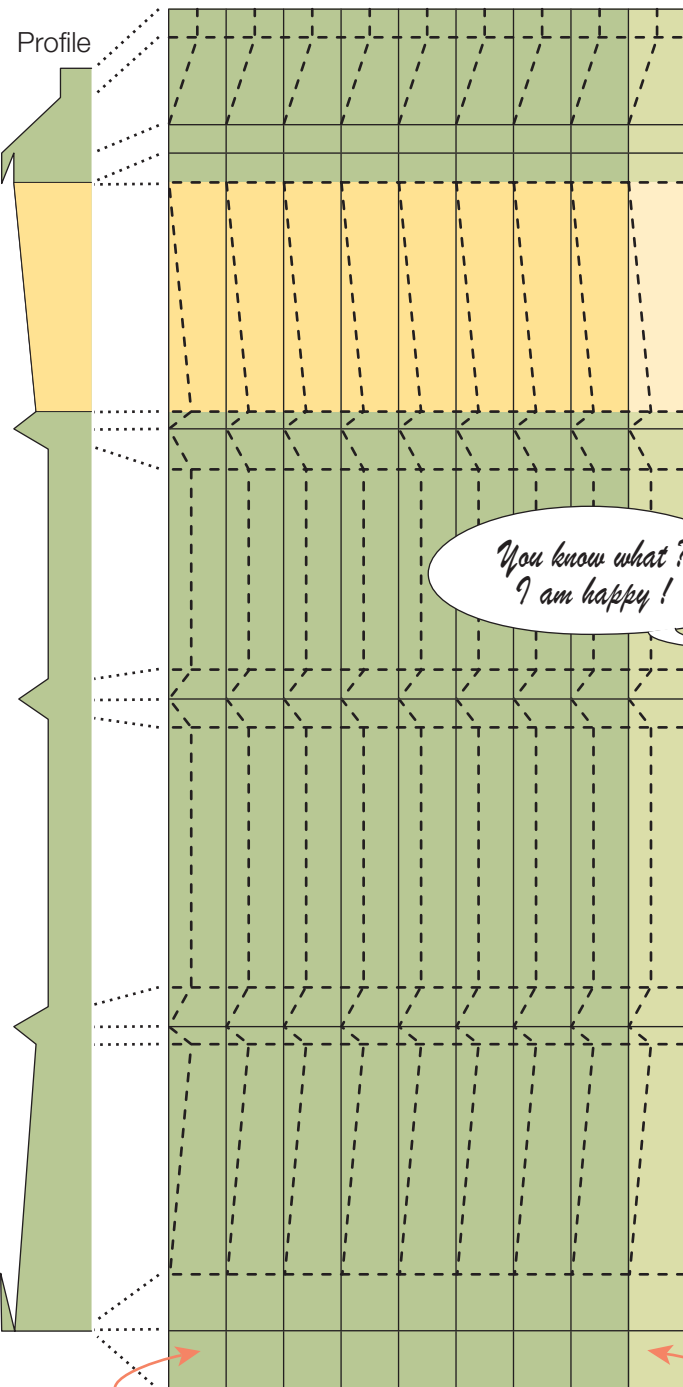
**8** Tail and ears :  
outside reverse folds.  
Nose : inside reverse fold.



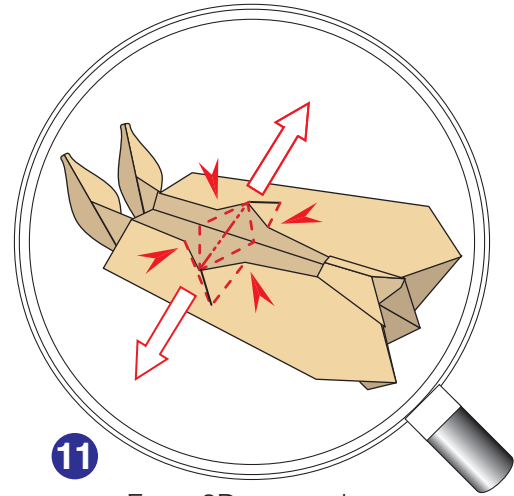
**9** Swivel-fold for the neck.  
Repeat behind.



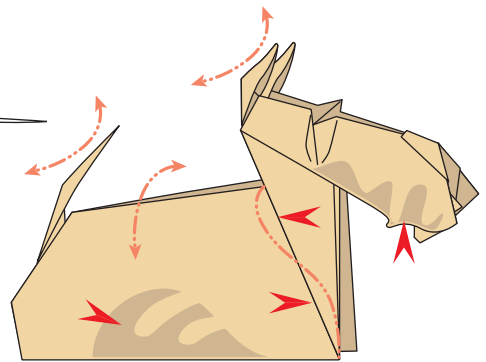
**10** Nose : inside reverse fold.  
Mouth : outside reverse fold.  
Next step would be seen from top.



Precrease, glue to form a cylinder, then collapse.



**11** Form 3D eyes using  
the indicate creases.



**12** Final modeling.

Take care that this type of model is not so easy that it seems to realise... If you wants a quiet exact copy of mine, dozens of first tries are required before attempt a wet-folding one. I expect you will enjoy this "only 12 steps" little dog, instead of torture a poor innocent paper during many hours. If you really needs more complexe and numburous creases, try the street lamp (twist-fold of a cylinder). Your Aberdeen will certainly enjoy it !

